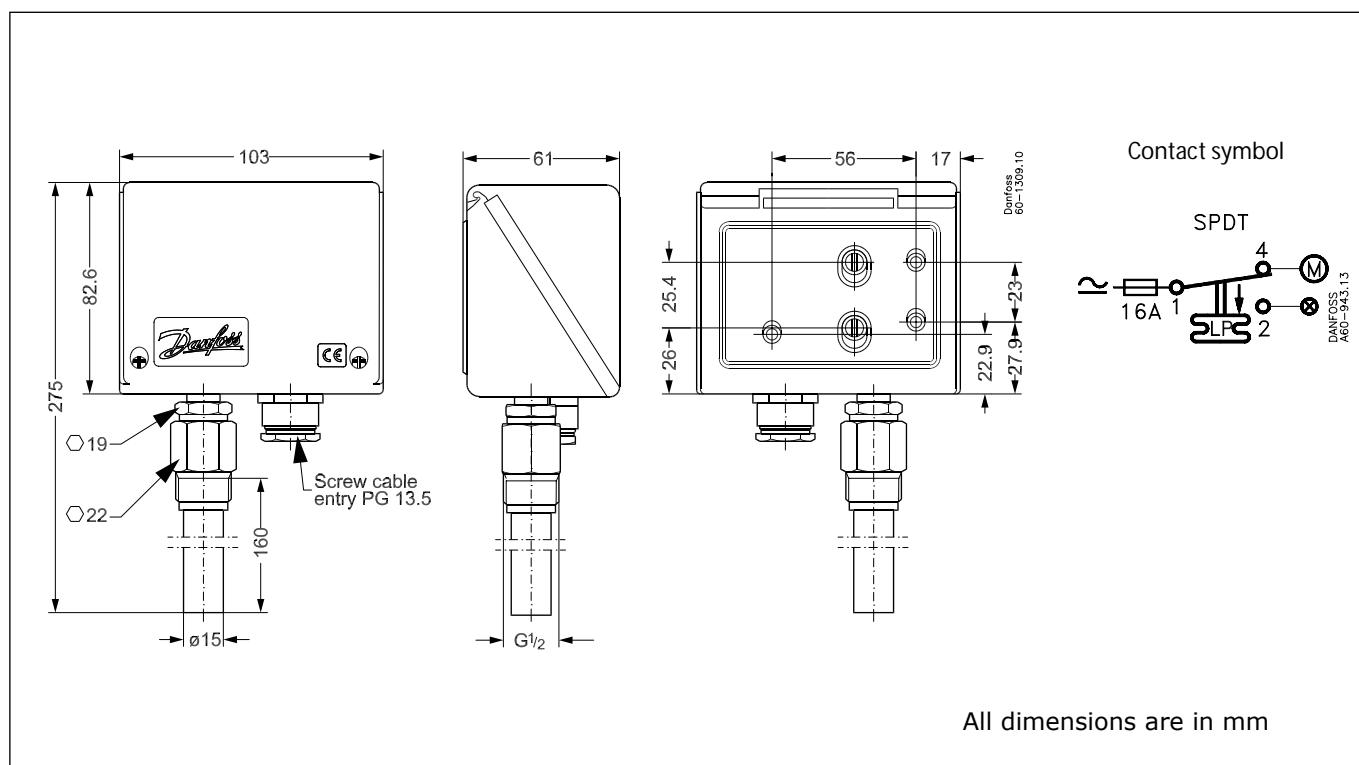


Thermostat  
type KP 78

Customer:

Customer part no.:

Danfoss Code no.:  
**060L122966**



**Technical data**

Type	KP 78
Temperature range	30...90°C
Differential (for min. range)	4.5...20°C
Differential (for max. range)	7.0...16.5°C
Reset	Auto reset
Contact function	SPDT
Contact load	AC 1: 16A/ 400 V AC 3: 16A/ 400 V AC 15: 10A/ 400 V
Sensor	Rigid sensor
Max. sensor temperature	150°C
Perm. ambient temperature	-40...+65°C
Sensor pocket	Steel 18/8, length 160 mm, thread G1/2A
Enclosure	IP 55
Packing	Multipack, 10 pcs.
Approval	CE-marked in accordance with EN 60 947-4-5

App. Marcin Loskot	Corr.	Valid serial no. 200448
Date 08-2004		Discontinued serial no.: